

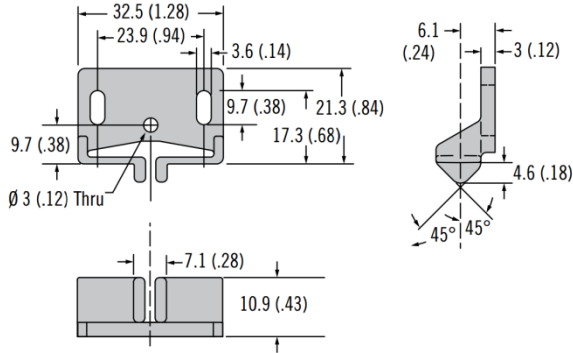
## T9-10 Push-to-Close Latch

Pull-to-open · Cabinet catches

### Features

- Detent action
- Non-corrosive and non-conductive

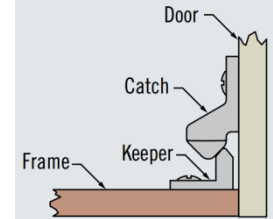
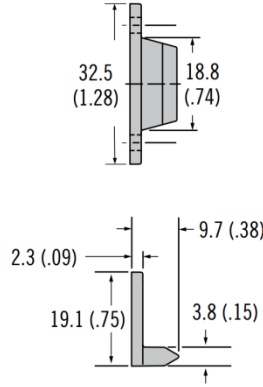
### Catches



### Material

- Acetal, black or white

### Keeper



Color	Part Number
Black	T9-10-101-50
White	T9-10-101-70

## T9-20 Push-to-Close Latch

Pull-to-open · Cabinet catches

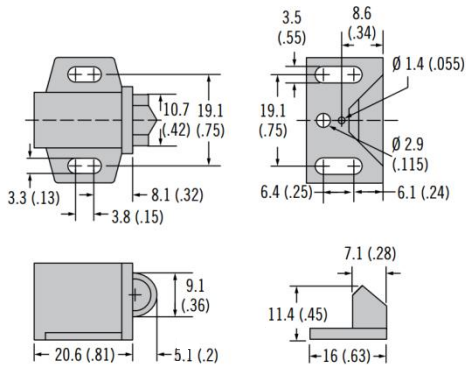
### Features

- Roller action for smooth consistent operation
- Non-corrosive and non-conductive

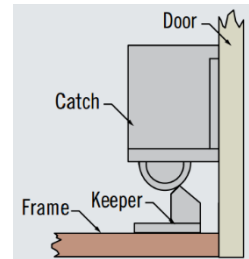
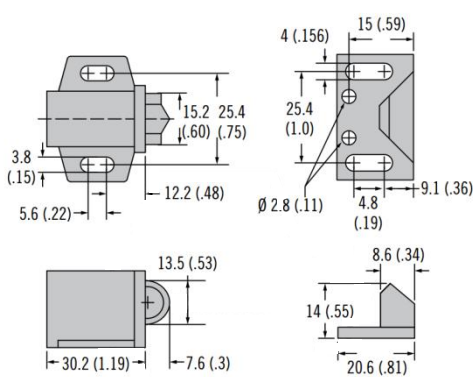
### Material

- Acetal white

### 500 Series



### 800 Series



Series	Catch & Keeper Part Number
500	T9-20-501-20
800	T9-20-801-20

We are proud to be Southco's authorized distributor of over 20 years